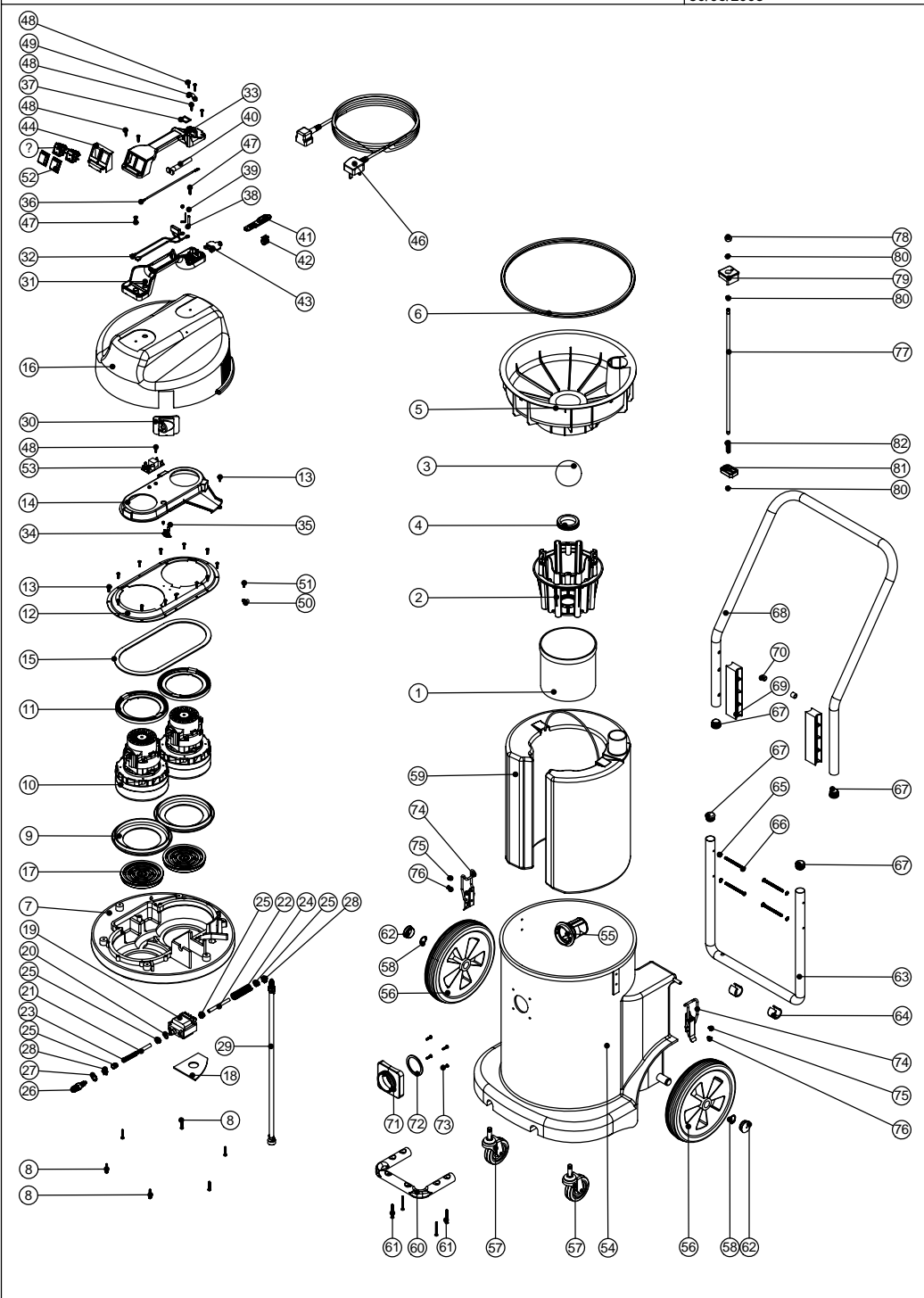


Numatic International Spare Parts

Model No: CTD900-2 EXPLODED DRAWING

234363
DRAWING: EXP-0794 ISS:A03
30/06/2008



Numatic International Spare Parts

Model No: CTD900-2 EXPLODED DRAWING

POS:	ITEM NO:	DESCRIPTION:	COMMENTS:
1	207073	GAUZE FILTER	
2	225130	MOULDED FLOAT CAGE	
3	206026	POLYPROP BALL	
4	220235	FLOAT GROMMET	
5	225102	FLOAT MOULDING	
6	202036	FLOAT MOULD EXTRUSION SEAL	
7	301046	PROCESSED BOTTOM MOTOR HOUSING	
8	219369	No8 X 1 INCH LONG POZI PAN STAINLESS STEEL SCREW	
9	202005	MOTOR BOTTOM GASKET	
10	205411	240V 2 STAGE D.I BYPASS ACUSTEK MOTOR (BL21104)(MARKED 230V)	
	205410	220V 2 STAGE D.I BYPASS ACUSTEK MOTOR (BL21102)(MARKED 230V)	
	205409	120V 2 STAGE D.I BYPASS ACUSTEK MOTOR (BL21101)	
11	227925	TOP MOTOR GASKET	
12	325526	TOP MOTOR HOUSING (DUPLX)	
13	219370	No8 X 5/8 INCH LONG PLASTITE STAINLESS STEEL SCREW	
14	227928	570 AIR SEPERATOR (LAMB BYPASS MOTOR DUPLX)	
15	202012	GASKET	
16	301049	PROCESSED COVER MOULDING	
17	206010	FAN GUARD	
18	202042	FLOAT SEALING GASKET	
19	216147	PUMP SMALL BORE 220/240V/50HZ	220/240V VERSION
	216142	PUMP SMALL BORE 110V/50HZ	115V VERSION
20	219304	O RING	
21	227055	48MM LONG BLACK POLYURATHENE TUBE	
22	227056	78MM LONG BLACK POLYURATHENE TUBE	
23	219326	50MM LG COMPRESSION SPRING	
24	219327	80MM LG COMPRESSION SPRING	
25	219329	LOCKING NUT	
26	216296	QUICK RELEASE BULK HEAD FITTING	
27	219290	M12 SHAKEPROOF WASHER	
28	219337	LOCKNUT	
29	303135	500MM LONG SOLUTION TUBE & FILTER ASSEMBLY	
30	206112	QUICK RELEASE FIX PLATE	
31	320686	HANDLE BASE MOULDING	
32	220142	SUPPRESSOR ASSEMBLY	230V VERSION
	230234	SUPPRESSOR ASSEMBLY	220V VERSION
	220558	SUPPRESSOR ASSEMBLY	115V VERSION
	227627	HANDLE COVER HARD WIRE 2 SWITCH	HARDWIRED VERSION
33	227624	HANDLE COVER	
34	220532	THERMOSTAT	
35	219491	M5 X 3MM LONG POZI PAN TAPTITE SCREW	
36	320830	DIODE ASSEMBLY	
37	202000	TERMINAL GASKET	
38	206562	CONTACT PIN	
39	219090	M4 X 8MM LONG POZI PAN SEMS SCREW	
40	220923	STRESS RELIEF	
41	227636	STRAIN RELIEF	
42	227637	CABLE CLIP	
43	227632	TERMINAL COVER & CLAMP	
44	227629	SWITCH MOUNTING BRACKET	
45	220843	BLUE ROCKER SWITCH	
46	236009	10.0M X 1.00MM X 2 CORE NUCABLE (UK PLUG)	
	236123	10.0MT X 1MM X 2 CORE YELLOW CABLE (SOCKET + PLUG) EURO	
	236017	10.0M X 1.00MM X 2 CORE NUCABLE (SWISS PLUG)	
	236021	10.0M X 1.00MM X 2 CORE NUCABLE (SOUTH AFRICAN PLUG)	
	236020	10.0M X 1.00MM X 2 CORE NUCABLE (AUSTRALIAN PLUG)	
	236065	10.0M X 2.5MM X 2 CORE NUCABLE PLUS 32AMP INDUSTRIAL PLUG	
	236063	10.0MT X 3CORE X 14AWG (YELLOW) 5JTW 5-15P PLUG CSA	HARDWIRED VERSION
47	219546	M5 X 20MM LONG POZI PAN SEMS SCREW	
48	219107	No6 X 5/8 INCH LONG POZI PAN PLASTITE SCREW	
49	227564	PLUG LOCATION CLAMP	
50	226050	CABLE CLAMP (WHITE P CLIP)	
51	219471	M4 X 12MM LONG POZI PAN SEMS SCREW	
52	206573	SWITCH COVER (PLUG HANDLE)	
53	220555	230V DELAY START MODULE	
	220556	115V DELAY START MODULE	
	325457	PROCESSED RED DRUM	
	325459	PROCESSED GREEN DRUM	
	325460	PROCESSED YELLOW DRUM	
54	325458	PROCESSED BLUE DRUM	
55	206493	WET DRY CONNECTOR	
56	204028	10 INCH WHEEL	
57	204060	3 INCH CASTOR	
58	219308	CIRCLIP	
59	325160	FLUID CONTAINER & HANDLE ASSEMBLY	
60	303127	TOOL MOUNTING BAR	
61	219316	No10 X 43MM LONG POZI PAN COUNTER SUNK PLASTITE SCREW	
62	206131	BLACK PLASTIC CAP	
63	303128	LOWER HANDLE	
64	206295	PLASTIC SADDLE FOOT	
65	219423	M6 COUNTERSUNK LOCK WASHER	
66	219422	M6 X 70MM LONG POZI PAN COUNTERSUNK SCREW	
67	206371	25.4MM TUBE END STOP	
68	418671	BLACK UPPER HANDLE	
69	206128	HANDLE BLOCK SPACER	
70	21985V	SPACER	
71	270161	FLANGE NECK BAYONET	
72	202027	HOSE FLANGE GASKET	
73	219105	No8 X 5/8 INCH LONG POZI PAN PLASTITE SCREW	
74	206135	TOGGLE FASTENER	
75	219047	M5 X 10MM LONG POZI PAN SEMS SCREW	
76	219330	M5 X 12MM LONG POZI PAN COUNTERSUNK SCREW	
77	205133	LOCKING BAR	
78	206132	BLACK PLASTIC CAP	
79	206126	LOCKING BAR KNOB	
80	219307	E CLIP	
81	206127	LOCKING BAR SUPPORT	
82	219312	COMPRESSION SPRING	